



ITW Electronic Components FORMEX
 425 North Gary Ave.
 Carol Stream, IL 60188
 Phone: 630-315-2171
 Website: www.itwformex.com

FORMEX™ GS PRODUCT DATA

FLAME RETARDANT POLYPROPYLENE SHEET

	TEST METHOD	FORMEX™ GS-10	FORMEX™ GS-17	FORMEX™ GS-30
Color		Natural *	Natural *	Natural *
MANUFACTURING SPECIFICATION				
Thickness				
inches		0.010 (+0.003 / -0.0015)	0.017 (+0.003 / -0.001)	0.030 (+0.002 / -0.002)
millimeters		0.25 (+0.08 / -0.04)	0.43 (+0.08 / -0.03)	0.76 (+0.05 / -0.05)
UL FLAMMABILITY RATING / PERFORMANCE LEVELS				
Flammability	UL 94	VTM-0	V-0	V-0
Relative Temperature Index	UL 746B			
Electrical		115°C / 239°F	115°C / 239°F	115°C / 239°F
Mechanical Without Impact		115°C / 239°F	115°C / 239°F	115°C / 239°F
High Current Arc Ignition - PLC (arcs to ignite)	UL 746A	0	0	0
High Voltage Arc Tracking - PLC (in / min)	UL 746A	0	0	0
Hot Wire Ignition - PLC (seconds)	UL 746A	4	4	4
Comparative Tracking Index - PLC	ASTM D-3638	0	0	0
TYPICAL MECHANICAL PROPERTIES VALUES				
Tensile Yield - psi	ASTM D-882 / ISO 527-1,-2			
Machine Direction		4,400	4,400	4,000
Transverse Direction		3,200	3,200	3,200
TYPICAL PHYSICAL PROPERTIES VALUES				
Density - gm / cc	ASTM D-792 / ISO 1183-1, Method A	1.035	1.035	1.035
Oxygen Index - %	ASTM D-2863 / ISO 4589--1,-2	29	29	29
Water Absorption - % Change in weight	ASTM D-570 / ISO 62, Method 4	0.06%	0.06%	0.06%
Heat Deflection Temperature at 66 psi	ASTM D-648 0.45MPa / ISO 75-1,-2,Method B	121°C / 250°F	121°C / 250°F	121°C / 250°F
TYPICAL ELECTRICAL PROPERTIES VALUES				
Comparative Tracking Index - volts	IEC 60112	600	600	600
Surface Resistivity - ohms / square	ASTM D-257	10 ⁹ -10 ¹¹	10 ⁹ -10 ¹¹	10 ⁹ -10 ¹¹
Dielectric Breakdown - volts	ASTM D-149 / IEC 60243-1	16,830	19,610	26,480
Dielectric Strength - volts / mil	ASTM D-149 / IEC 60243-1	1,683	1,154	883
Volume Resistivity - ohm-cm	ASTM D-257 / IEC 62631-3-1	8 x 10 ¹⁵	8 x 10 ¹⁵	8 x 10 ¹⁵
Dielectric Constant	ASTM D-150 / IEC 60250, 1MHz	2.3	2.3	2.3
Dissipation Factor	ASTM D-150 / IEC 60250, 1MHz	0.0019	0.0019	0.0019
PACKAGING INFORMATION				
Standard Configuration		Roll	Roll	Roll
Core ID - inches (millimeters)		6 (152)	6 (152)	6 (152)
Roll OD - inches (millimeters) (approximate)		18 (457)	18 (457)	18 (457)
Roll Width - inches (millimeters)		24 (610)	24 (610)	24 (610)
Roll Weight - lbs (kgs) (approximate)		225 (102.1)	178 (81)	192 (87)
Length / Roll - feet (meters)		2,000 (609.6)	1,000 (304.8)	600 (182.9)
Area / Roll - square feet (square meters)		4,000 (371.6)	2,000 (185.8)	1,200 (111.5)

Notice: The above data is believed to be accurate and reliable. ITW assumes no responsibility for end-use application, and no performance warranty is expressed or implied. Formex is a registered trademark of ITW. GS is the specific name of our product. Others can not use it without our permission.

* Side with Logo is Treated side

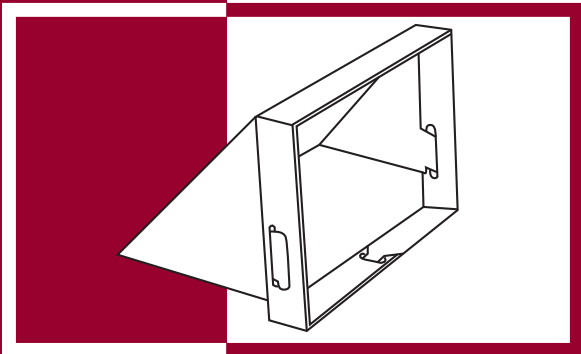
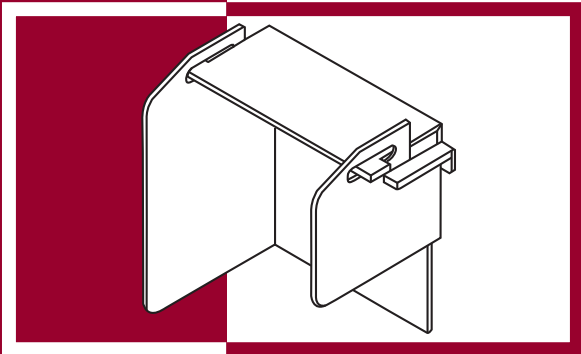
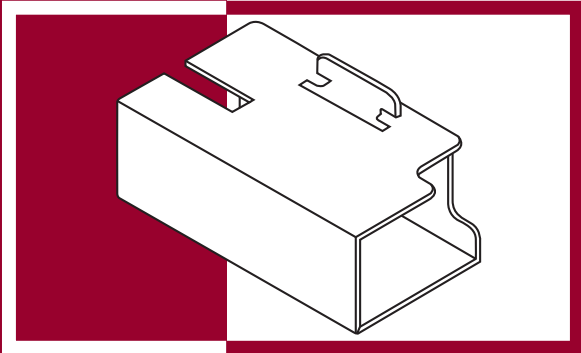


Converting Company

EKO-TECH Sp z o.o. sp. k. ul. Fabryczna 1B, 42-660 Kalety
 tel: 34 3578 624 e-mail: info@eko-tech.biz, www.eko-tech.biz | www.converting-tasm.biz

For a complete listing of Formex products, contact your Formex sales representative.

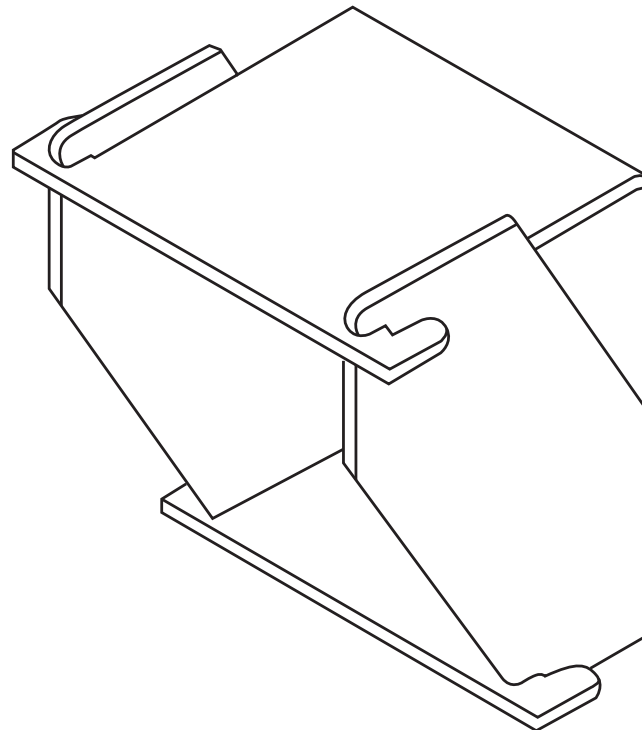
Version: Feb222018



FORMEX[™] GS

ESD PROTECTION

FLAME RETARDANT



- Flammability Rating UL 94 VTM-0
- H2O Absorption 0.06%
- Temperature Rating 115°C / 239°F
- Dielectric Strength 1,683 Volts / mil @0.010"
- Static Dissipative ESD protection
- UL Recognized File E121855

For more information or Formex GS samples, please contact us at 630-315-2171.

425 N. Gary Ave. Carol Stream, IL 60188

www.itwformex.com