

Applicators for system integration

Applicators for system integration

Applicators for standard Enimac X-TREME machines and applicators for integration into Cobot, Robot and industrial systems on existing lines.

XT applicators for the packaging sector



XT Light

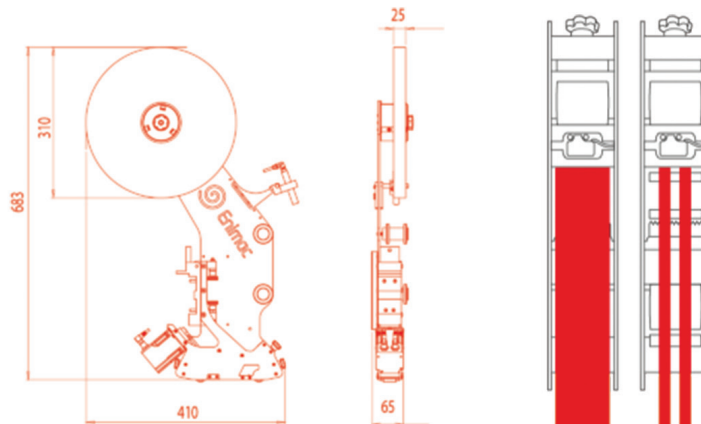
XT Light 25, 50 or 100 applicator, allows for the use of tapes from a minimum width of 3mm to a maximum of 25mm, 50mm, or 100mm.

XT LIGHT applicators



XT Light 25

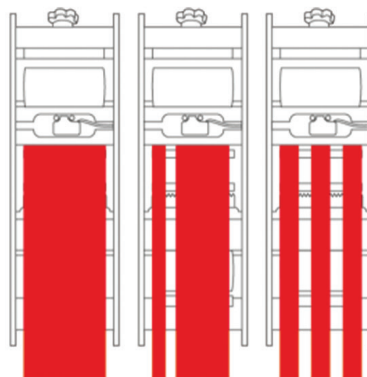
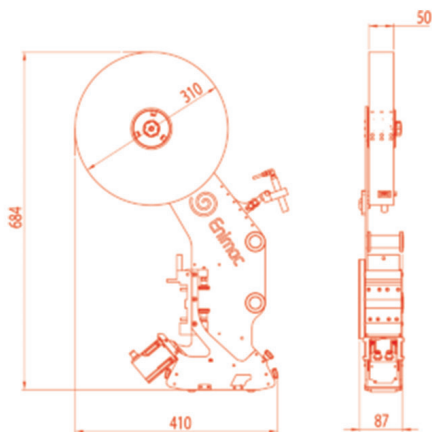
XT Light 25 applicator, allows for the use of tapes from a minimum width of 3mm to a maximum of 25mm with a tape roll of maximum diameter 400mm and a 76mm standard core. The photocell is able to read materials of different colours and types such as paper, cardboard, plastic and metal and even transparent and die-cut materials.



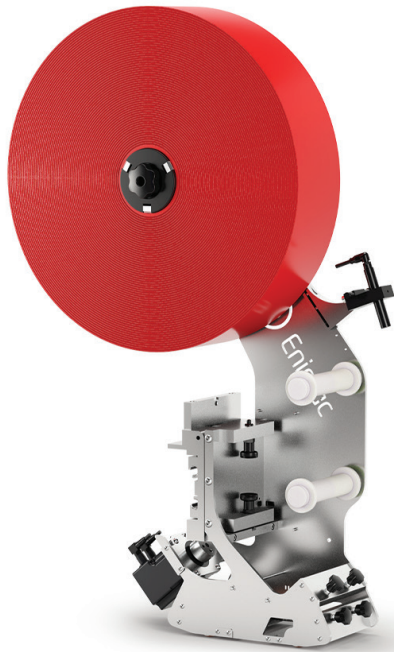
XT LIGHT applicators

XT Light 50

XT Light 50 applicator, allows for the use of tapes from a minimum width of 3mm to a maximum of 50mm with a tape roll of maximum diameter 400mm and a 76mm standard core. The XT Light 50 applicator can be mounted with up to 3 rolls of parallel tapes. The photocell is able to read materials of different colours and types such as paper, cardboard, plastic and metal and even transparent and die-cut materials.

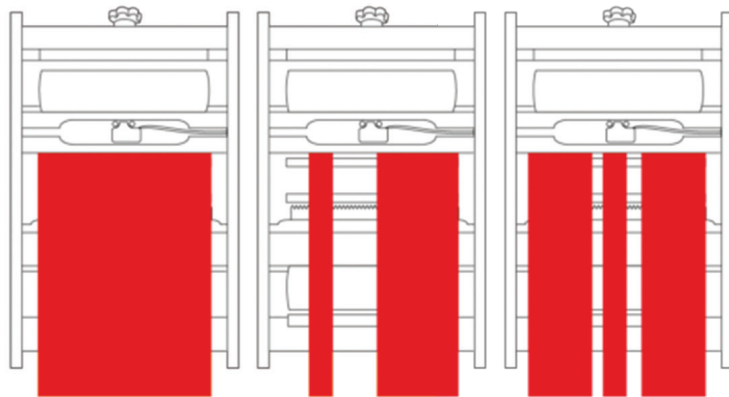
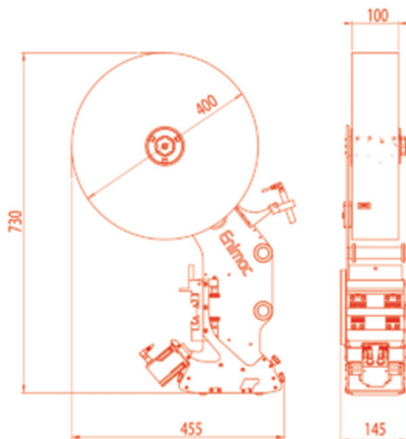


XT LIGHT applicators



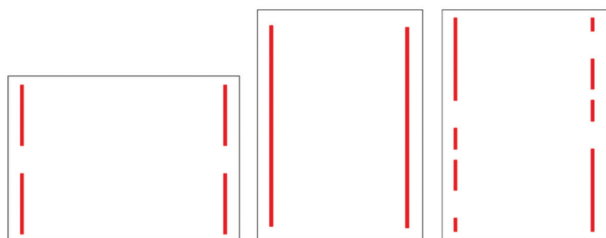
XT Light 100

XT Light 100 applicator, allows for the use of tapes from a minimum width of 3mm to a maximum of 100mm with a tape roll of maximum diameter 400mm and a 76mm standard core. The XT Light 100 applicator can be mounted with up to 3 rolls of parallel tapes, including wide rolls. The photocell is able to read materials of different colours and types such as paper, cardboard, plastic and metal and even transparent and die-cut materials.

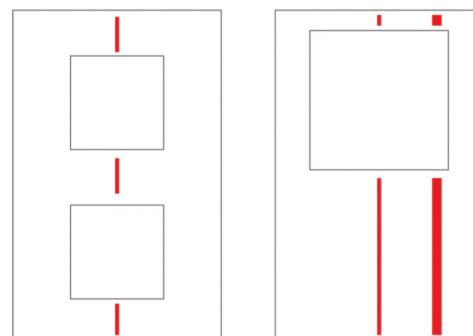


APPLICATION TEMPLATES

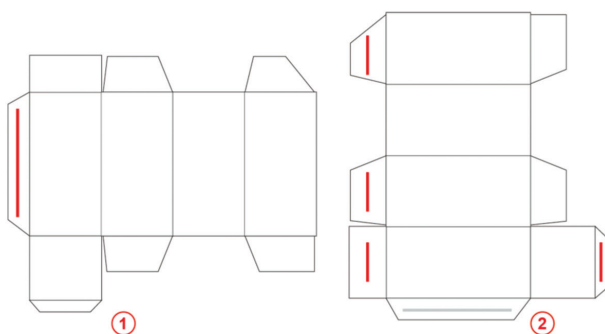
XT Light applicators offer a wide range of applications in various flat and thin formats as used in the paper industry: posters, envelopes, pocket folders, boxes, packaging, etc.



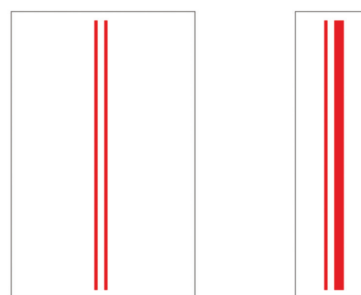
Examples of applying double-sided tape to flat surfaces with different spots



Example of applying double-sided adhesive tape to a flat surface between die-cut windows



Example of applying double-sided adhesive tape to flat die-cut surfaces



Example of applying 2 double-sided adhesive tapes to flat surfaces with a single applicator

XT PRO applicators

XT applicators for the packaging sector



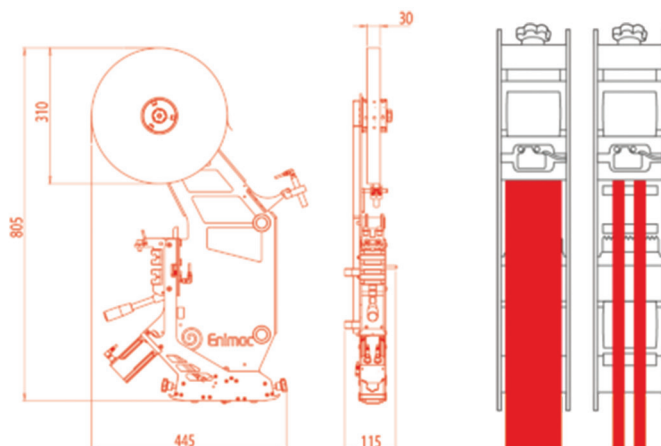
XT Pro

XT Pro 30, 60, 60 RW, 100 applicator, allows for the use of tapes from a minimum width of 3mm to a maximum of 30mm, 60mm or 100mm.

XT PRO applicators

XT Pro 30

XT Pro 30 applicator, allows for the use of tapes from a minimum width of 3mm to a maximum of 30mm with a tape roll of maximum diameter 400mm and a 76mm standard core. The photocell is able to read materials of different colours and types such as paper, cardboard, plastic and metal and even transparent and die-cut materials.

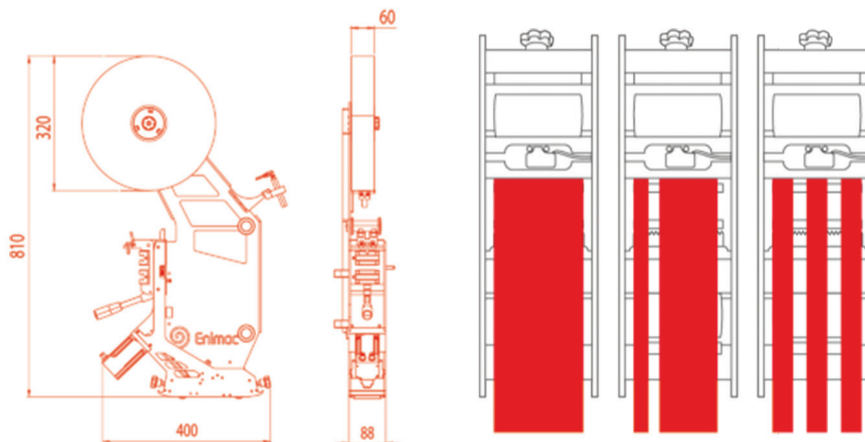


XT PRO applicators



XT Pro 60

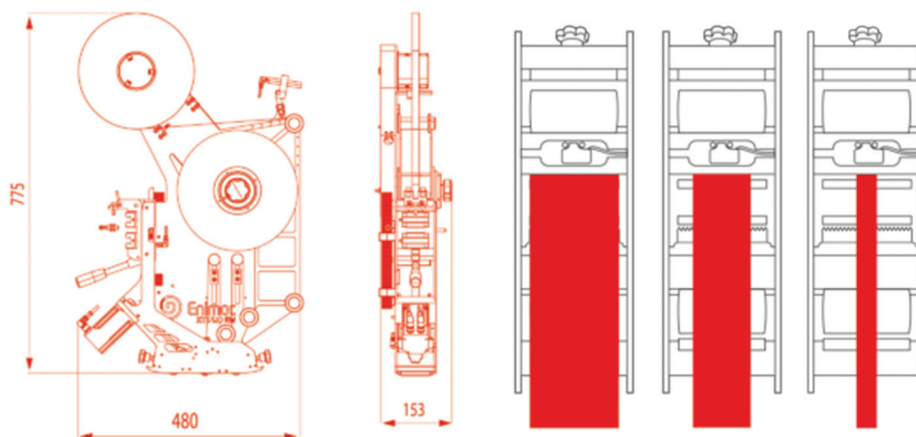
XT Pro 60 applicator, allows for the use of tapes from a minimum width of 6mm to a maximum of 60mm with a tape roll of maximum diameter 400mm and a 76mm standard core. The XT Pro 60 applicator can be mounted with up to 3 rolls of parallel tapes. The photocell is able to read materials of different colours and types such as paper, cardboard, plastic and metal and even transparent and die-cut materials.



XT PRO applicators

XT Pro 60 RW

XT Pro 60 RW applicator, allows for the use of tapes from a minimum width of 3mm to a maximum of 60mm with a tape roll of maximum diameter 400mm and a 76mm standard core. The rewind function allows you to rewind the liner during application leaving only the adhesive applied. The photocell is able to read materials of different colours and types such as paper, cardboard, plastic and metal and even transparent and die-cut materials.

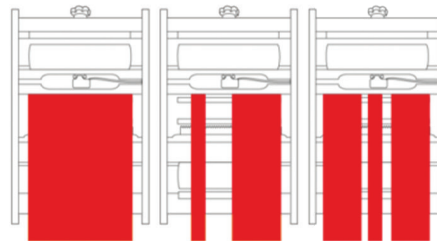
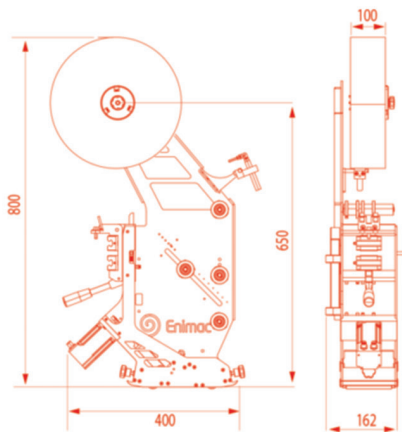


XT PRO applicators



XT Pro 100

XT Pro 100 applicator, allows for the use of tapes from a minimum width of 6mm to a maximum of 100mm with a tape roll of maximum diameter 400mm and a 76mm standard core. XT Pro 100 applicator can be mounted with up to 3 rolls of parallel tapes. The photocell is able to read materials of different colours and types such as paper, cardboard, plastic and metal and even transparent and die-cut materials.



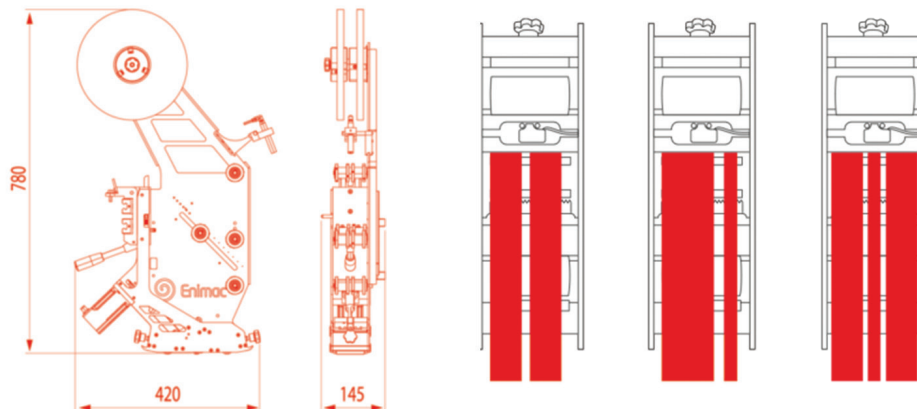
XT PRO applicators

XT Pro e-commerce 60

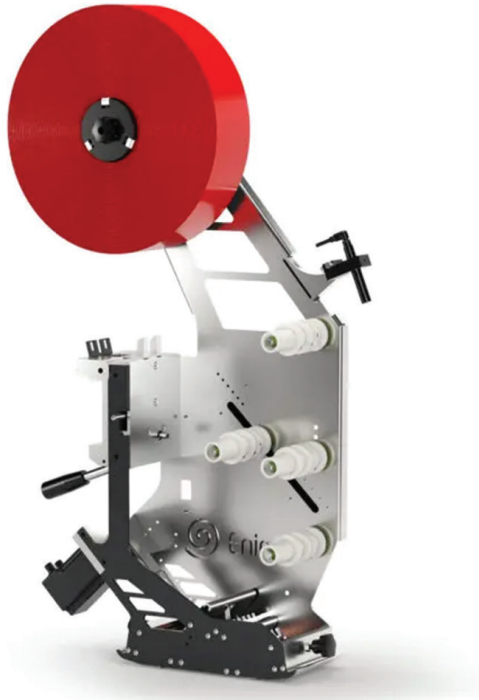
XT Pro e-commerce applicator 60 includes:

- split spindle for applying two rolls of tape on the same applicator
- slider for adjusting tape tension
- brake for managing tear tape over 4mm wide

XT Pro e-commerce 60 applicator, allows for the use of tapes from a minimum width of 3mm to a maximum of 60mm with a tape roll of maximum diameter 400mm and a 76mm standard core. The photocell is able to read materials of different colours and types such as paper, cardboard, plastic and metal and even transparent and die-cut materials.



XT PRO applicators

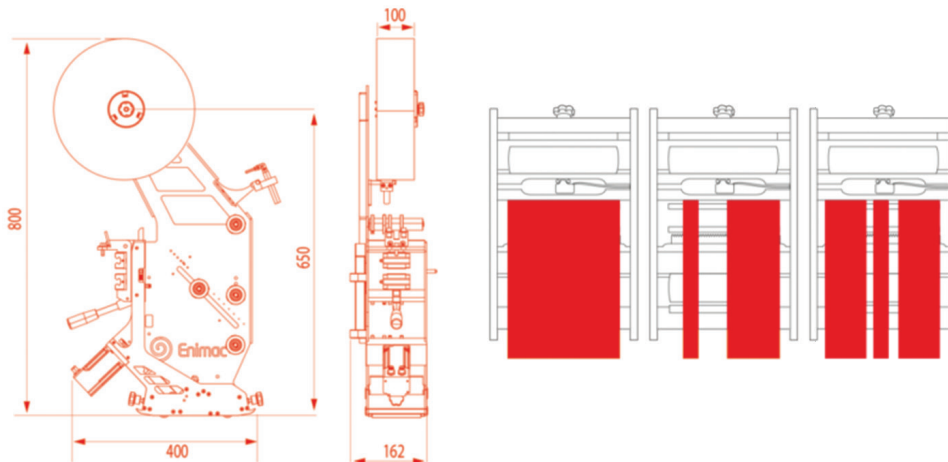


XT Pro e-commerce 100

XT Pro e-commerce applicator 100 includes:

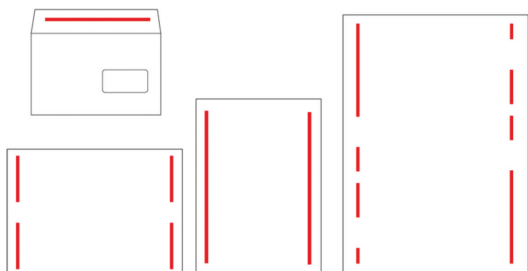
- split spindle for applying two rolls of tape on the same applicator
- slider for adjusting tape tension
- brake for managing tear tape over 4mm wide

XT Pro e-commerce 100 applicator, allows for the use of tapes from a minimum width of 3mm to a maximum of 100mm with a tape roll of maximum diameter 400mm and a 76mm standard core. The photocell is able to read materials of different colours and types such as paper, cardboard, plastic and metal and even transparent and die-cut materials.

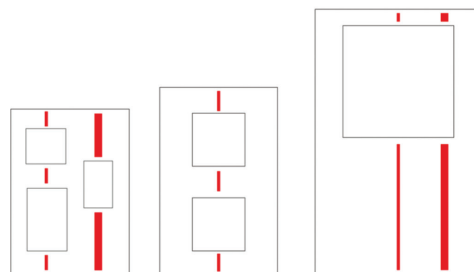


APPLICATION TEMPLATES

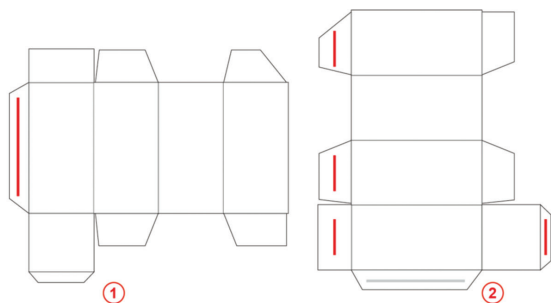
XT Pro applicators offer a wide range of applications in various flat and thin formats as used in the paper industry: posters, envelopes, pocket folders, boxes, packaging, etc, including oversized formats.



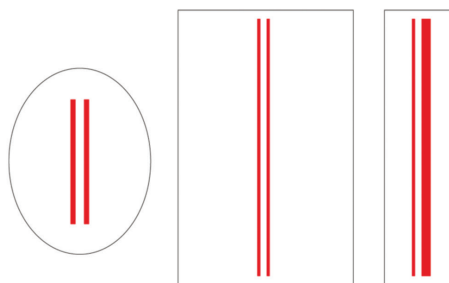
Examples of applying double-sided tape to flat surfaces with different spots



Example of applying double-sided adhesive tape to a flat surface between die-cut windows



Example of applying double-sided adhesive tape to flat die-cut surfaces

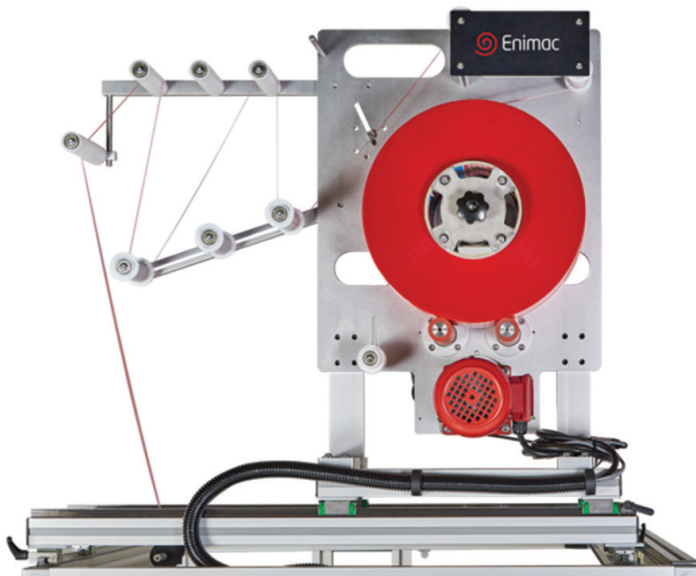


Example of applying 2 double-sided adhesive tapes to flat surfaces with a single applicator

APPLICATORS

Blackbox

The Blackbox is an electric panel which includes drive and touchscreen display. Our installed proprietary software allows for applicator use. The Blackbox has two connectors, one for connection to the applicator and the second for connection to your machine via Modbus RTU (RS485) communication protocol.



Unwinder

The unwinder accessory allows you to manage long sections of tape (even up several thousand metres) and can be integrated with our range of applicators.

Applicators for system integration

Applicators for standard Enimac X-TREME machines and applicators for integration into Cobot, Robot and industrial systems on existing lines.

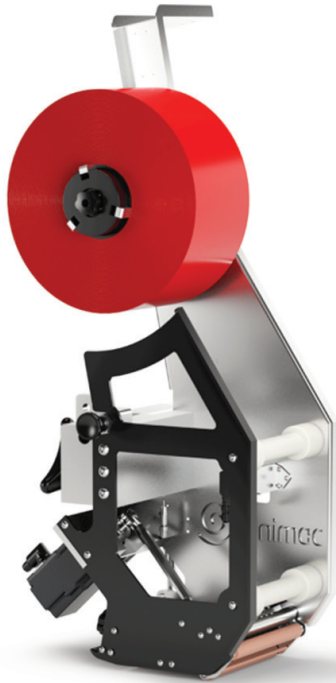
XT applicators for industrial applications



XT Industrial

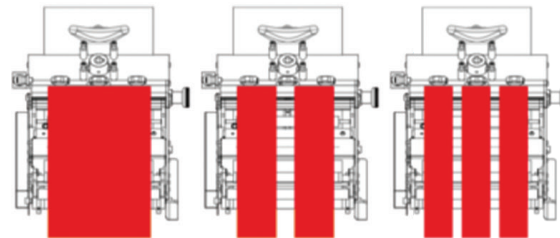
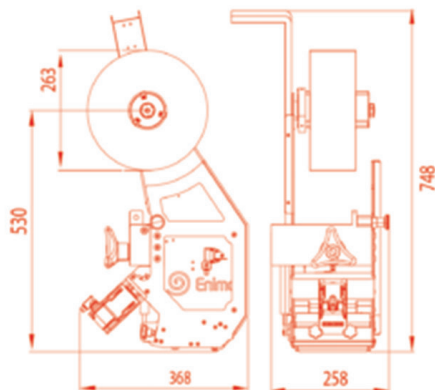
XT Industrial 150, 200 applicator, allows for the use of tapes from a minimum width of 6mm to a maximum of 150mm or 200mm.

XT INDUSTRIAL Applicators



XT Industrial 150

XT Industrial 150 applicator, allows for the use of tapes from a minimum width of 6mm to a maximum of 150mm with a tape roll of maximum diameter 400mm and a 76mm standard core. The XT Industrial 150 applicator allows you to apply single and double-sided adhesive tapes even inside indented profiles.

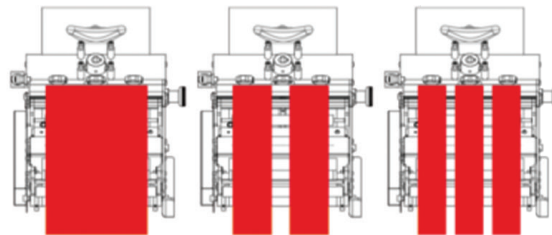
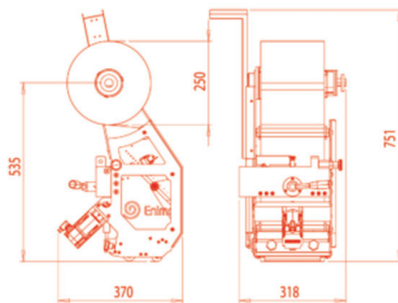


XT INDUSTRIAL Applicators



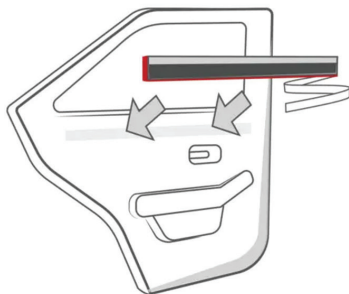
XT Industrial 200

XT Industrial 200 applicator, allows for the use of tapes from a minimum width of 6mm to a maximum of 200mm with a tape roll of maximum diameter 400mm and a 76mm standard core. The XT Industrial 200 applicator allows you to apply single and double-sided adhesive tapes even inside indented profiles.

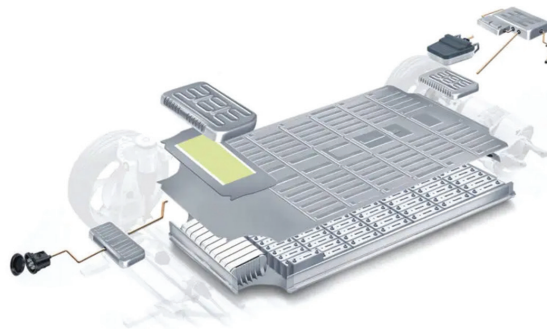


APPLICATION TEMPLATES

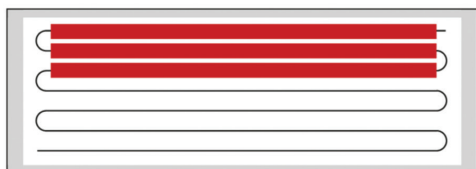
The range of XT Industrial applicators are used in various sectors including the automotive, naval, electronics, furniture, and household appliance sectors; particularly useful where tape application on a variety of substrates from the simplest to the most complex is required.



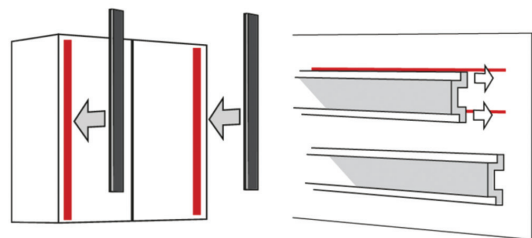
Example of applying double-sided adhesive tape to flat surfaces in the automotive sector



Example of applying double-sided adhesive tape for battery packs in the automotive sector

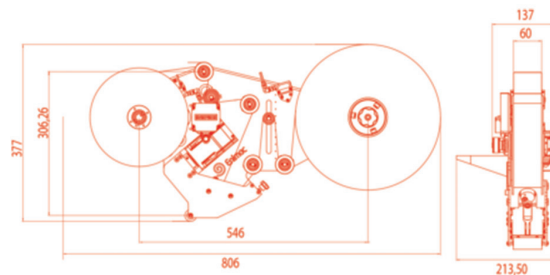
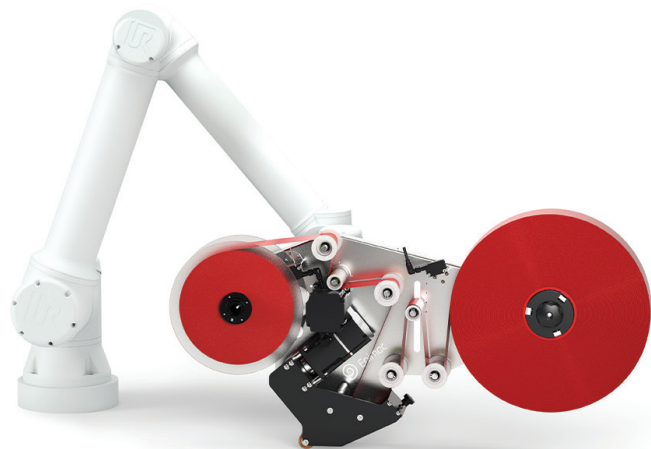


Example of applying 3 strips of single-sided adhesive tape with an applicator to uneven surfaces for the home appliance sector



Example of applying 2 double-sided adhesive tapes to flat surfaces with a single applicator in the furniture sector

XT Compact



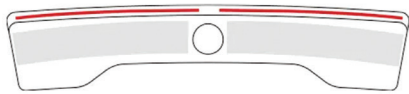
XT-COBOT RW 60

The XT Compact applicators can be installed on cobots and a variety of robots or machines with restricted spaces. They allow for the use of tapes from a minimum of width 3mm to a maximum of 60mm with a tape roll of maximum diameter 310mm and a 76mm standard core.

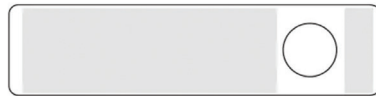
XT Compact applicators can offer a “rewind” function for the removal of tape liner; they are used in different sectors where the application of single or double-sided adhesive tapes is required even on curved, non-planar surfaces or where tape application is required at different angles.

APPLICATION TEMPLATES

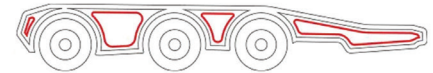
The range of XT Compact applicators are used in various sectors including the automotive, naval, electronics, furniture, and household appliance sectors; particularly useful where tape application on a variety of substrates from the simplest to the most complex is required.



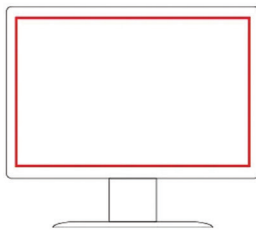
Examples of double-sided tape applications on curved surfaces with different spots



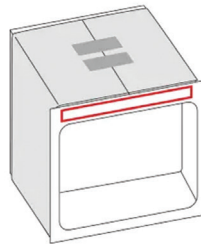
Example of applying protective tape to a non-planar surface



Esempio di applicazione di nastro biadesivo in modo non lineare su superfici piane



Example of applying double-sided adhesive tape with angles on flat surfaces



Example of single and double-sided tape application on flat surface

Tape Application Made Easy



**EKO-TECH Spółka z ograniczoną
odpowiedzialnością spółka komandytowa**

ul. Fabryczna 1B, 42-660 Kalety

tel: 34 3578 624

fax: 34 3527 595

e-mail: info@eko-tech.biz

www.eko-tech.biz | www.converting-tasm.pl